

**Cap & Chain**

Designed to protect male threads on valves and reducers. Also prevents entry of foreign matter.

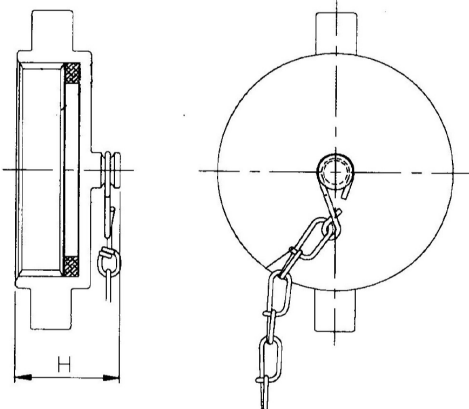
Finishes include cast brass, polished brass, polished chrome, or plastic. All come standard with pin lugs and chain.

Standard Material: ASTM B124 37700 Brass

Optional Material: ABS Plastic



Part Number	Size	Thread	Finish
31015-1RBA	1 1/2"	NST	Rough Brass
31015-3RBA	1 1/2"	NPSH	Rough Brass
31015-1PBA	1 1/2"	NST	Polished Brass
31015-3PBA	1 1/2"	NPSH	Polished Brass
31015-1PCA	1 1/2"	NST	Polished Chrome
31015-3PCA	1 1/2"	NPSH	Polished Chrome
31015-1PL	1 1/2"	NST	Red Plastic
31015-3PL	1 1/2"	NPSH	Red Plastic
31025-1RBA	2 1/2"	NST	Rough Brass
31025-1PBA	2 1/2"	NST	Polished Brass
31025-1PCA	2 1/2"	NST	Polished Chrome
31025-1PL	2 1/2"	NST	Red Plastic



1 1/2" Cap & Chain	2 1/2" Cap & Chain
H = 1.37"	H = 1.51"